

# SUBMITTAL DATA SHEET

## No-Lead Low Pressure Valves Angle Stop Valve with Drain - 72025

Flare x FNPT



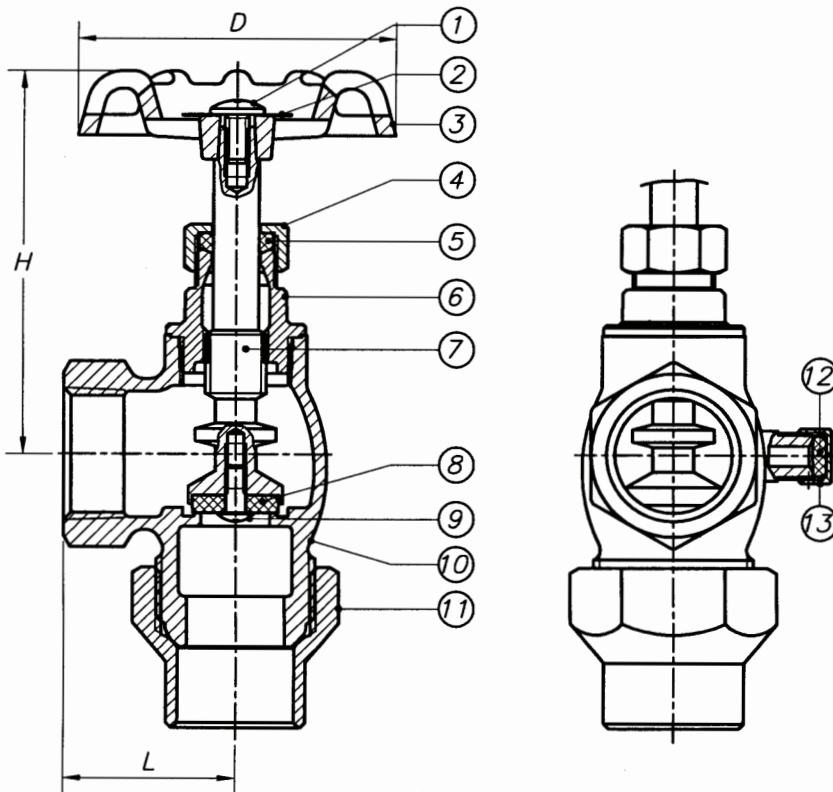
A.Y. McDonald Mfg. Co. Low Pressure Valves are constructed from heavy duty no-lead brass and are recommended for residential and commercial applications and provide positive shut-off with various inlet configurations.

### Dimensions

Size	D	H	L
3/4" x 1/2"	2.48	5.28	1.34
3/4" x 3/4"	2.48	5.28	1.34
1" x 3/4"	2.48	6.02	1.34
1" x 1"	2.48	6.38	1.57

### Materials

No.	Part	Material
1	Handle Bolt	Steel
2	Name Plate	Aluminium
3	Handwheel	Cast Iron
4	Packing Nut	No-Lead Brass
5	Gland Packing	Teflon
6	Bonnet	No-Lead Brass
7	Stem	No-Lead Brass
8	Seat Packing	Rubber
9	Seat Screw	No-Lead Brass
10	Body	No-Lead Brass
11	Flare Nut	No-Lead Brass
12	Packing	Rubber
13	Drain Cap	No-Lead Brass



### SUBMITTAL INFORMATION

- Sizes: 3/4" x 1/2", 3/4" x 3/4", 1" x 3/4", 1" x 1"
- 125 WOG
- Soft seat design
- Complies with NSF / ANSI 372-2010

**NO-LEAD:** The weighted average of the wetted surface of this no-lead product contacted by consumable water contains less than one quarter of one percent (0.25%) lead.



A.Y. McDonald Mfg. Co.  
P.O. Box 508  
Dubuque, IA 52004-0508

Toll Free: 1-800-292-2737  
Fax: 1-800-832-9296  
Hours: 7:00 a.m. - 5:00 p.m., CST

sales@aymcdonald.com  
www.aymcdonald.com

A.Y. McDonald considers the information on this assembly drawing correct when published. Item and option availability, including specifications, are subject to change without notice.

Submitted by: